

TECHNICAL FEATURES

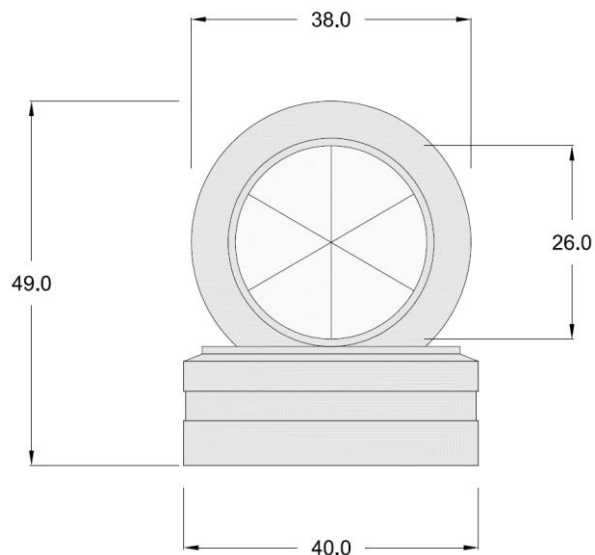
- ✓ Reflective quartz size: 25mm;
- ✓ Accuracy: 5";
- ✓ Leica constant: 17,5;
- ✓ Absolute constant: 16,9;
- ✓ Quartz color: white;
- ✓ Structure material: metal;
- ✓ Maximum range: up to 700 m (it depends on the used device);
- ✓ Fixing: on ferrous material, or gluing on other materials.



Reflector consisting of a precision crystal with a diameter of 25 mm installed on a spherical structure on a magnetic base. Modal prism, its particular structure allows the prism to assume all positions in the 3 dimensions of space without changing the coordinates of the fulcrum. The high-resistance magnetic base with

Neodymium magnet provides excellent fixing stability on metal structures. Ideal for installations where small dimensions and great precision are required.

DIMENSIONS (mm)



We reserve the right to change our products and their specifications without notice.

CE product compliant with European directives