

TECHNICAL FEATURES

- ✓ Reflecting quartz 25 mm;
- ✓ Precision: 5";
- ✓ Quartz color: copper or white;
- ✓ Structure material: ABS, yellow;
- ✓ Leica constant: +17.5;
- ✓ Absolute constant: -16.9;
- ✓ Maximum range: from 350 to 500 m (depending on the reader used);
- ✓ Fixing mechanism: pin with 12 mm diameter, suitable for pins with bayonet fitting.



Mini prism made up of a precision reflecting quartz in copper or white color, diameter 25 mm, mounted on a yellow ABS structure.

In standard conditions, it can read up to 500 m.

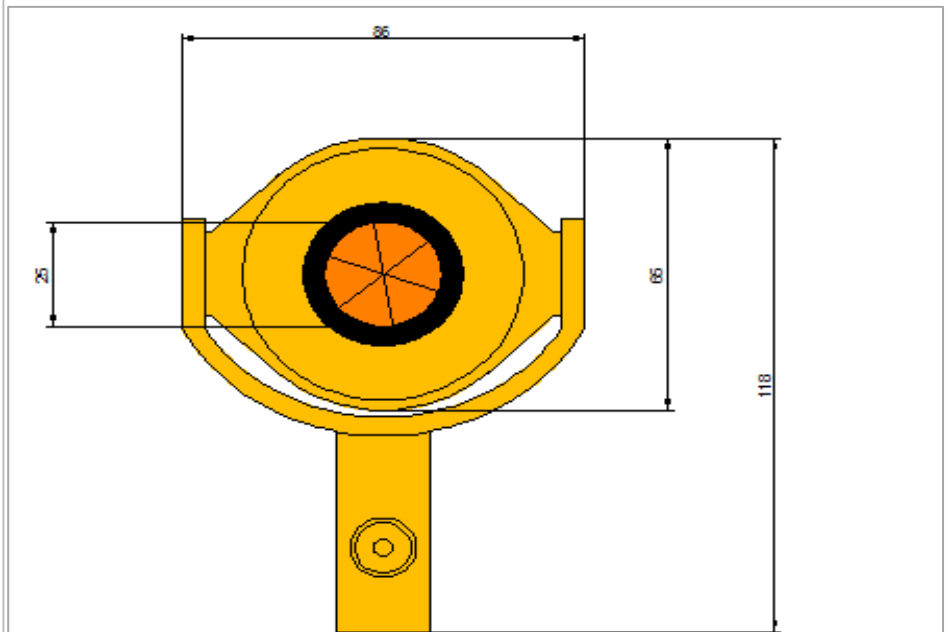
It is ideal for measurement in areas hard to reach (mountains, forests, steep paths) where minimum weight is a decisive factor.

The structure is a frame with clearly visible rotating target. The range varies according to the total station model and the performance of the distance meter.

The lower coupling fits pin with bayonet fitting.



Various bayonet fittings: ABS flange, ABS or stainless steel M8 male, ABS 5/8 " female.



DIMENSIONS (mm)

We reserve the right to carry out modifications to our products and their

CE product compliant with European directives