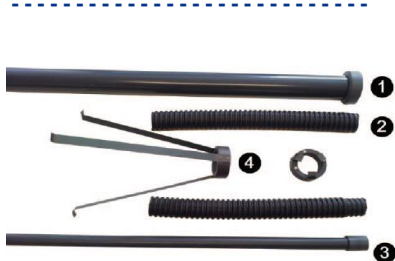


## TECHNICAL FEATURES OF THE MAGNETIC PROBE

- ✓ Cable length: 50 -100 m;
- ✓ Temperature range: +40/+100°C;
- ✓ Cable: mm.



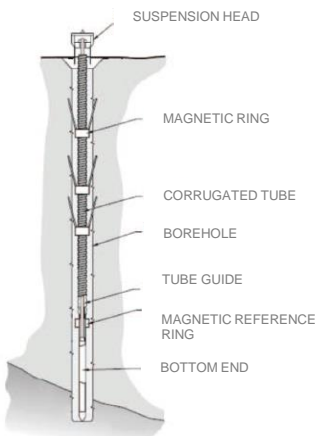
Details of the magnetic strain gauge



Details of the suspension head

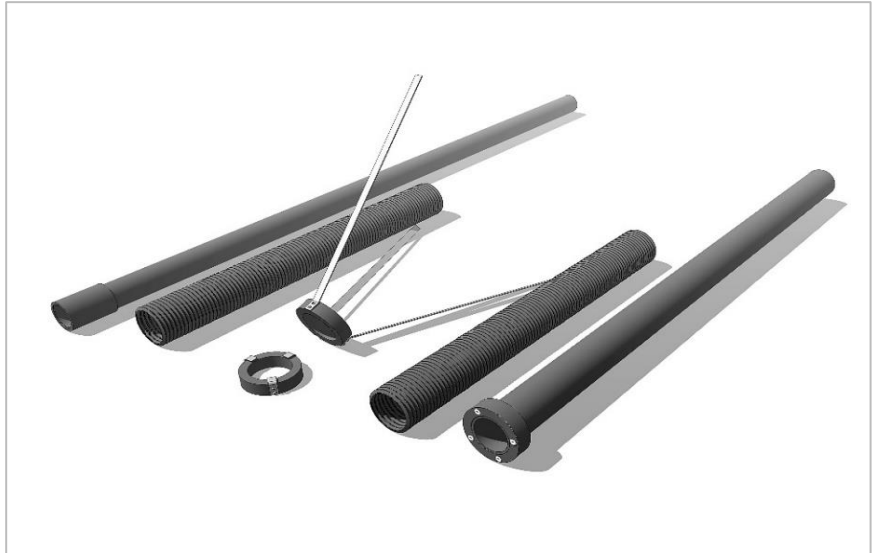


Details of the probe



Example of magnetic settlement gauge installation

**CE** product compliant with European directives



The magnetic settlement gauge is used to measure the entity of ground settlement or heave after the construction of levees, dams, embankments or excavation.

The settlement system consists of:

- 1) bottom end in PVC, 1000 mm long, inside which the tube is inserted. The pointy tip makes it easy to insert it inside the borehole. The magnetic reference ring is fixed to the tip of the access tube.
- 2) Corrugated tube in polyethylene is pliable and can be coupled. The magnetic rings are fixed on its external surface.
- 3) Rigid guide tube 1.5-3.0 m long, can be extended with couplings.
- 4) A borehole magnetic ring, 60 mm internal diameter, 86 mm external

diameter (with carbon steel legs for anchoring to the surrounding ground), or the embankment magnetic ring (with ring fastened on 300x300 mm plate).

- 5) Suspension head and protection terminal with bench mark for topographic survey.

The reading is done through a settlement gauge instrument. As the sensor's tip enters one of the ring's magnetic field, closing of the circuit activates an acoustic and visual signal. The cm graduated cable provides location and records the position of the ring.

DIMENSIONS	
Bottom end	PVC, 1000 mm long, external diameter 60 mm
Corrugated sheath	Polyethylene, external diameter 55 mm
Tube guide	PVC, 1.5- 3.0 m long, external diameter 33 mm
Borehole magnetic ring	internal diameter 60 mm, external diameter 86 mm
Embankment magnetic ring	Internal diameter 60 mm, flat diameter 300 mm

We reserve the right to carry out modifications to our products and their specifications