

TECHNICAL FEATURES

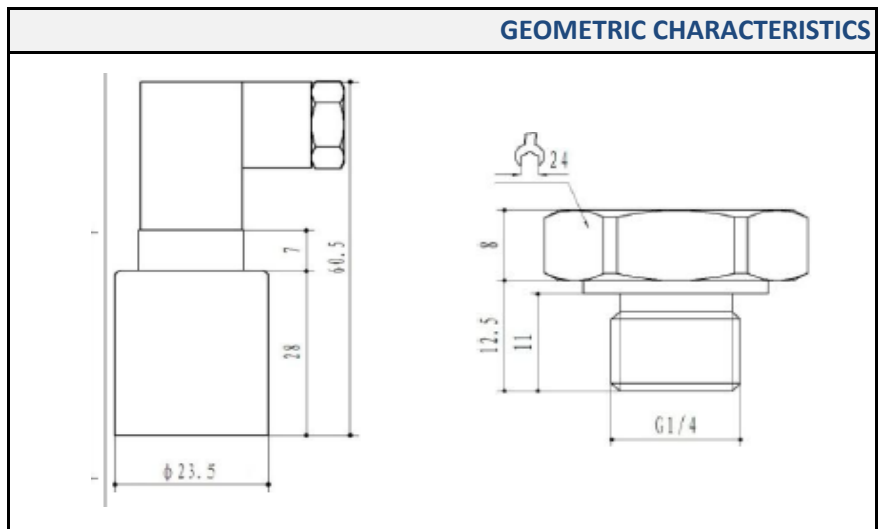
- ✓ Type of transmitter: thin film stainless steel membrane;
- ✓ Pressure range: 0-10 kPa.....1000 MPa;
- ✓ Output: 4-20 mA;
- ✓ Accuracy: +/-0,5% F.S.;
- ✓ Temperature drift: <+/-1,5% F.S./°C (-20°C-85°C);
- ✓ Response time: 1 ms;
- ✓ Overpressure: 200% F.S.;
- ✓ Process connection: 1/4" Gas;
- ✓ Case material: AISI 304 stainless steel;
- ✓ Measured fluid: gas and liquid;
- ✓ Resistant to pressure spikes, shocks and vibrations;
- ✓ Duration up to 10x10⁶ pressure cycles;
- ✓ Protection grade: IP 65.



The industrial pressure transmitter is a transmitter used in pressure measurement for gases and liquids. It is designed with a stainless steel structure and has an internal digital circuit that can convert the millivolt signal of the sensor into a standard voltage or current signal output.

The product is also characterized by compact dimensions, low weight, simple installation and operation. The hermetically sealed thin-film measuring cell ensures high mechanical tightness and long-term stability.

GEOMETRIC CHARACTERISTICS



We reserve the right to change our products and their specifications without notice.

CE product compliant with European directives

